

Unit Load Spiral Conveyors

“Save space and increase throughput”

Ryson Spiral Conveyors need less floor space than conventional conveyors and are faster and more reliable than any elevator or lift.

The Ryson Unit Load Spirals can convey cartons, cases, trays, totes and all sorts of packaged goods in a continuous flow. Central to our design is the Ryson proprietary slat-style belts designed with rolling friction without any sliding or wear strips. This facilitates a small footprint, high speed, low noise, low maintenance and a long life. Ryson Spirals are available in powder coated carbon steel, stainless steel washdown, hybrid and freezer versions.

One Drive:

Only one drive motor is required, resulting in substantial savings in energy, controls and systems integration.

Easy to Install:

Most spirals are shipped in one piece, pre-assembled and pre-tested, drastically reducing time and cost of installation.

Low Maintenance:

Ryson Spirals are designed for low maintenance and long life. Only high quality components are used throughout. All bearings are sealed for life and need no further lubrication. The chain is of heavy duty nickel plated construction and needs only infrequent lubrication. The slats need no maintenance and can easily be replaced as single components without the use of special tools.

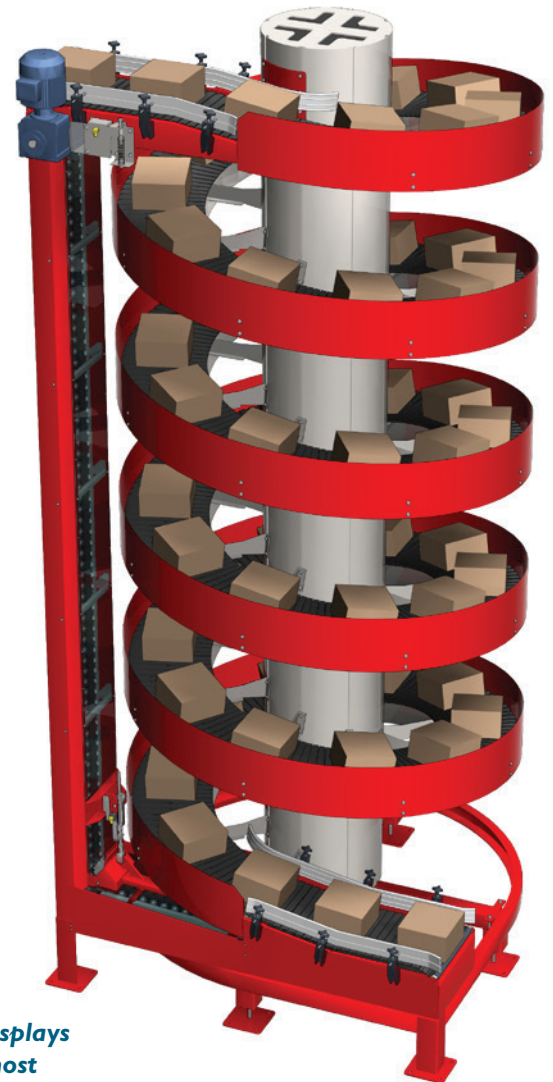
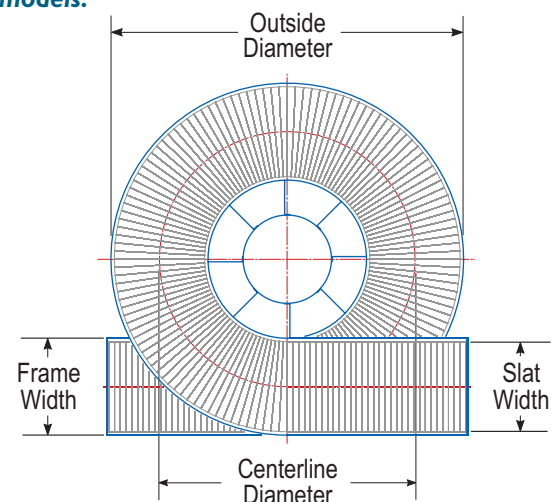


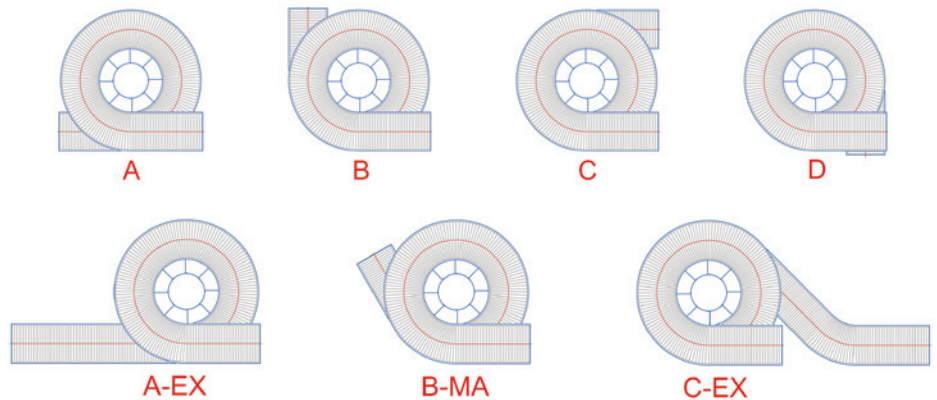
Chart displays the most common models.

Type	Outside Diameter	Centerline Diameter	Slat Width	Frame Width
1100-150-NT	4'-2" (1270)	3'-8" (1100)	6" (150)	6" (160)
1200-230-NT	4'-9" (1450)	3'-11" (1200)	9" (230)	9" (230)
1200-300	5'-3" (1600)	3'-11" (1200)	12" (300)	15" (380)
1300-400	5'-11" (1800)	4'-3" (1300)	16" (400)	19" (480)
1500-400	6'-7" (2200)	4'-11" (1500)	16" (400)	19" (480)
1800-400	7'-7" (2300)	5'-11" (1800)	16" (400)	19" (480)
1600-500	7'-3" (2200)	5'-3" (1600)	20" (500)	23" (590)
1700-600	7'-11" (2400)	5'-7" (1700)	24" (600)	27" (680)
1800-650	8'-6" (2600)	5'-11" (1800)	26" (650)	29" (740)
2200-760-WT	10'-0" (3050)	7'-3" (2200)	30" (760)	33" (790)

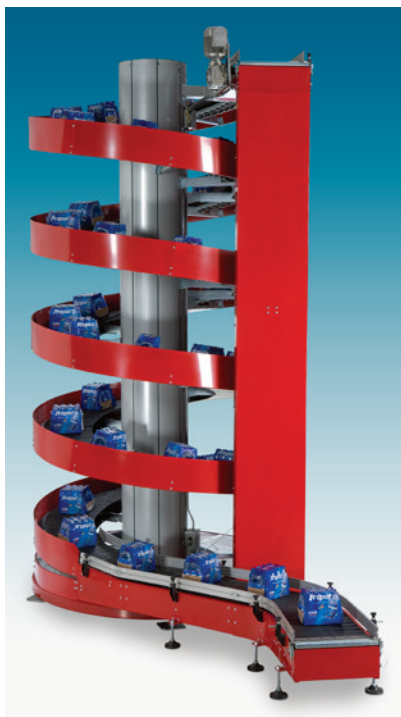


Modular Design:

An innovative modular design allows Ryson to customize with ease and modify in the field to accommodate emerging needs. All spirals are made to order and are available in 4 basic configurations (A, B, C and D), accommodating most requirements relating to the location of the in and out feed tangents. All configurations can operate up or down in a clockwise or counterclockwise rotation.



The position of the in feed tangent on up spirals and out feed tangent on down spirals can be customized to meet specific layout requirements. Samples are shown above (A-EX, B-MA and C-EX). A horizontal section is provided at in and out feed to assure smooth transition between conveyors.



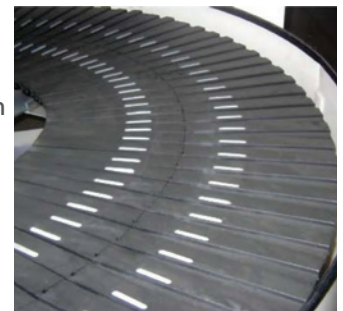
Proprietary Belt Slat:

This innovative belt enables a low friction operation without any sliding movements or wearstrips. The slats are supported by precision steel roller bearings which ride on a polyurethane wear surface. This arrangement effectively takes up the side forces created by a tight radius and at the same time increases the load carrying capacity of the chain up to 75 lbs per linear foot. This facilitates high speed, low noise, low maintenance and long life.



Overlapping Slats:

Overlapping slats provide a smooth and efficient conveying surface, suitable for all types of conveyable items. Slat widths of 6, 9, 12, 16, 20, 24, 26 and 30 inches are available. The slats can also be furnished with friction inserts when more grip is needed and to accommodate slick items such as plastic totes or frozen products.



Built-in Protection:

All Ryson Spirals are equipped with an automatic chain tensioning device and built-in overload protection.

Controls and Integration:

Most of our spirals are shipped without controls because they normally integrate with an overall conveyor control system. The spirals always include an inverter duty gear motor and two proximity sensors, one for the automatic chain tensioner and one for the overload protection device. Refer to our website for controls options available from Ryson. A Variable Frequency Drive (VFD) is required for proper operation of the spirals.

All Ryson Spirals are thoroughly shop tested prior to shipment, but depend on proper integration with the overall conveyor system for optimum performance. Spiral integration instructions are available on www.ryson.com or give us a call to request a copy.

RYSON
INTERNATIONAL, INC

VERTICAL CONVEYING SOLUTIONS

Ryson is the number one Spiral Conveyor manufacturer in the USA.
For application assistance or more information, give us a call or visit www.ryson.com